

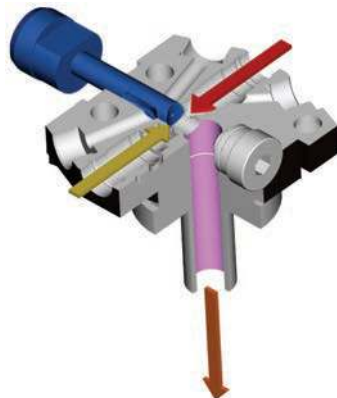


FPL Head

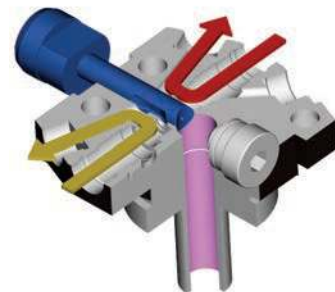
Two components, L shaped high pressure mixing head.
 This head represents the most versatile and compact solution actually available on the market to handle different PU systems.



Pouring phase



Recycling phase

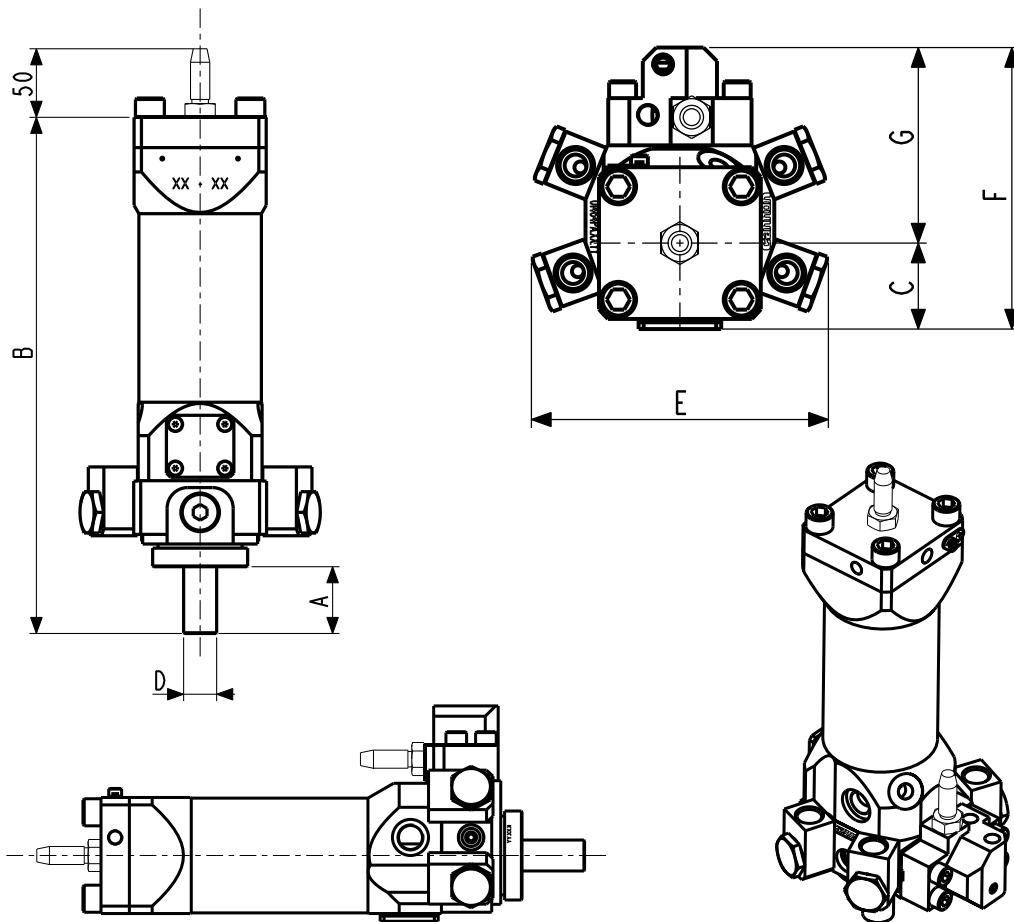


	FPL 7	FPL 10	FPL 14	FPL 18	FPL 24	FPL 32
Min output of poly stream (cc/sec)	8	20	35	75	120	220
Min output of iso stream (cc/sec)	8	20	35	75	120	220
Total min output	20	50	90	180	300	550
Max output of poly stream (cc/sec)	55	155	360	660	1200	2850
Max output of iso stream (cc/sec)	55	155	360	660	1200	2850
Total max output	90	260	600	1100	2000	4600
Total max laminar flow (cc/sec)	70	150	300	400	700	1600

All values are calculated in cc/sec considering component viscosity <1000 cps without filler and 150 bar pressure.



	A	B	C	D	E	F	G	WEIGHT
FPL 7	16.5 mm	194 mm	30 mm	12 mm	118 mm	124.5 mm	94.5 mm	5.1 Kg
FPL 10/65	31.5 mm	340 mm	38 mm	15 mm	141 mm	139 mm	101 mm	7.9 Kg
FPL 10/92	58.5 mm	395 mm	38 mm	15 mm	141 mm	139 mm	101 mm	8.2 Kg
FPL 14/80	38 mm	378 mm	46 mm	20 mm	177 mm	154.5 mm	108.5 mm	9.4 Kg
FPL 14/102	60 mm	422 mm	46 mm	20 mm	177 mm	154.5 mm	108.5 mm	9.7 Kg
FPL 14/122	80 mm	462 mm	46 mm	20 mm	177 mm	154.5 mm	108.5 mm	9.9 Kg
FPL 18/95	48.5 mm	433 mm	51 mm	24 mm	176 mm	167 mm	116 mm	15.6 Kg
FPL 18/112	65.5 mm	467 mm	51 mm	24 mm	176 mm	167 mm	116 mm	16.1 Kg
FPL 24/110	57 mm	486 mm	61 mm	32 mm	201 mm	202 mm	141 mm	25 Kg
FPL 24/143	90 mm	552 mm	61 mm	32 mm	203 mm	202 mm	141 mm	26 Kg
FPL 32/150	111 mm	700 mm	85 mm	56 mm	241 mm	263 mm	178 mm	62.5 Kg



All data are subject to variation without notification due to continuous technical/technological developments